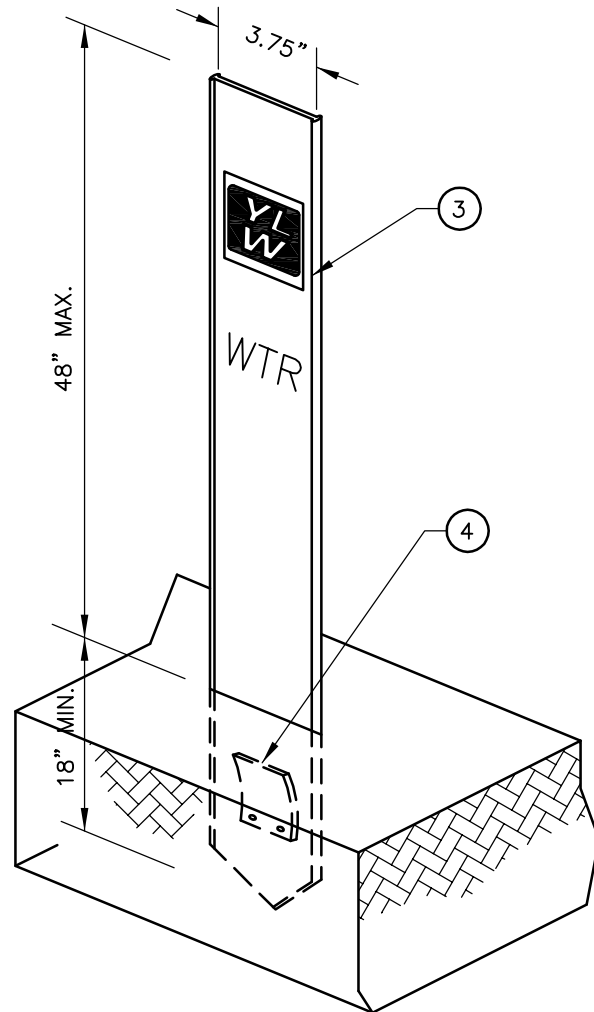
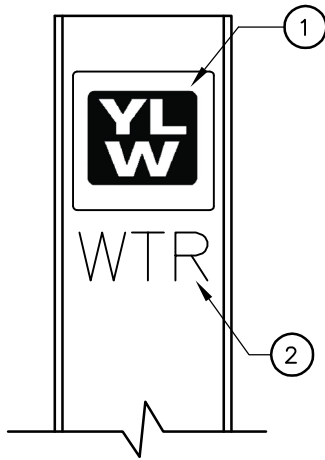


**GENERAL STANDARD DRAWINGS
TABLE OF CONTENTS**

<u>DRAWING NO.</u>	<u>DESCRIPTION</u>	<u>DATE</u>
G-1	UTILITY MARKER	7/2016
G-2	24" X 36" YLWD TITLE SHEET	7/2016
G-3	24" X 36" YLWD PLAN SHEET	7/2016



ABBREVIATIONS

ABD	ANODE BED / ANODE WELL
AVR	AIR AND VACUUM RELEASE VALVE
CBL	DIRECT BURIED CABLE
CTS	CATHODIC PROTECTION TEST STATION
EPB	ELECTRICAL PULL BOX
FO	FLUSH-OUT
IJ	INSULATING JOINT
MH	MANHOLE
MTR	METER
PRV	PRESSURE REGULATING VALVE
PZ	PIEZOMETER
SBX	SHUNT BOX
SWO	SEWER CLEAN OUT
SWR	SEWER MAIN
TPB	TELEMETRY PULL BOX
TW	TEST WELL
VLT	VAULT
VLV	VALVE
WTR	WATER MAIN
WQS	WATER QUALITY SAMPLE STATION

ITEM MATERIALS

- ① — YLWD LOGO DECAL 3.25" HIGH X 2.75" WIDE WITH CLEAR BACKGROUND.
- ② — 2 OR 3 CHARACTER FACILITY LABEL WITH 1" HIGH LETTERS ON A CLEAR SELF ADHESIVE DECAL (USE ABBREVIATIONS HEREON).
- ③ — POST SHALL BE MODEL: CARSONITE COMPOSITES, CIB-380, CHRISTY'S SUPERFLEX OR APPROVE EQUAL. MATERIAL: COLORED FIBERGLASS COMPOSITE WIDTH: 3.75 INCHES MINIMUM COLOR: WHITE, BLUE, GREEN, OR RED. SEE STD. SPEC. SECTION 15151.
- ④ — STAINLESS STEEL BARB ANCHOR AND SCREWS.

APPROVED BY
ENGINEERING
MANAGER

DATE
7/2016



YORBA LINDA WATER DISTRICT

UTILITY MARKER

STD. DWG.

G-1

SHEET 1 OF 1

YLWD STANDARD WATER NOTES:
(SEE YLWD STD. DWG. W-32)

YLWD STANDARD SEWER NOTES:
(SEE YLWD STD. DWG. S-13)

**WATER AND/OR SEWER IMPROVEMENT PLANS
FOR
DEVELOPER OR PROJECT NAME
PROJECT ADDRESS
JOB NO. XXXXXX**

VICINITY MAP

INDEX MAP


CONSTRUCTION NOTES AND QUANTITIES

SHEET INDEX

LEGEND AND ABBREVIATIONS
(IF ANY)

DIG ALERT:		<u>BASIS OF BEARINGS:</u>		ORANGE COUNTY FIRE AUTHORITY		YORBA LINDA WATER DISTRICT	
		<u>BENCHMARK:</u>		FIRE HYDRANT LOCATIONS, APPROVED PER		APPROVED FOR PUBLIC WATER AND/OR SEWER IMPROVEMENTS JOB NO. _____	
				SERVICE REQUEST NO. _____ DATE _____		STEVE CONKLIN, P.E., ENGINEERING MANAGER _____ DATE _____	
		SCALE:		PREPARED FOR:		PREPARED UNDER THE SUPERVISION OF:	
		DATE:		DEVELOPER/OWNER ADDRESS		YORBA LINDA WATER DISTRICT	
		FILENAME:		CIVIL ENGINEER		WATER AND / OR SEWER IMPROVEMENT PLANS FOR	
		DESIGNED BY:		CIVIL ENGINEERING CO. ADDRESS PHONE NUMBER		" DEVELOPER OR PROJECT NAME "	
		DRAWN BY:		CIVIL ENGR. STAMP		PROJECT ADDRESS	
		CHECKED BY:				PROJECT NO. _____	
REV	DESCRIPTION	ENGR	DATE	APPD	DATE	CIVIL ENGINEER _____ DATE _____	SHT. NO. ____ OF ____

NOTE: TEMPLATE ONLY. ADJUST OR MODIFY SECTION BLOCK AS NEEDED.

APPROVED BY ENGINEERING MANAGER		YORBA LINDA WATER DISTRICT		STD. DWG.
DATE 7/2016		24" X 36" YLWD TITLE SHEET		G-2
				SHEET 1 OF 1

PROFILE VIEW

Empty rectangular box for profile view.

PLAN VIEW

Empty rectangular box for plan view.

CONSTRUCTION NOTES

Empty rectangular box for construction notes.

DIG ALERT:

Empty rectangular box for dig alert.

REV	DESCRIPTION	ENGR	DATE	APPD	DATE

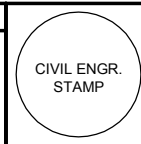
SCALE:
DATE:
FILENAME:
DESIGNED BY:
DRAWN BY:
CHECKED BY:

PREPARED FOR:

DEVELOPER/OWNER
ADDRESS

CIVIL ENGINEER

CIVIL ENGINEERING CO.
ADDRESS
PHONE NUMBER



PREPARED UNDER THE SUPERVISION OF:

CIVIL ENGINEER DATE
RCE NO. : EXP. DATE:

YORBA LINDA WATER DISTRICT

WATER AND / OR SEWER IMPROVEMENT PLANS
FOR
" DEVELOPER OR PROJECT NAME "
PROJECT ADDRESS

PROJECT NO.

SHT. NO. ___ OF ___

NOTE: TEMPLATE ONLY. ADJUST OR MODIFY SECTION BLOCK AS NEEDED.

APPROVED BY
ENGINEERING
MANAGER

DATE
7/2016



YORBA LINDA WATER DISTRICT

24" X 36" YLWD PLAN SHEET

STD. DWG.
G-3
SHEET 1 OF 1