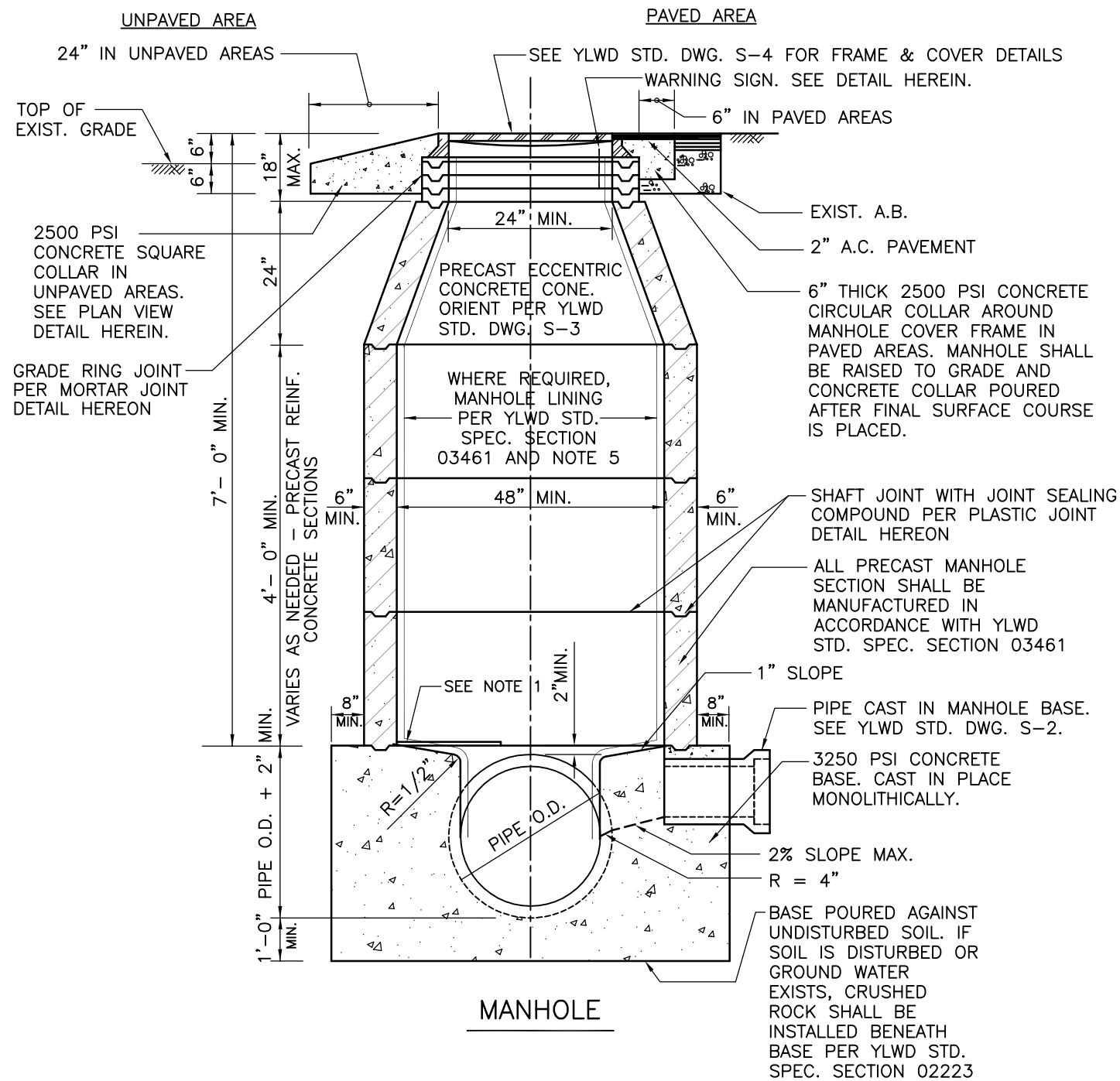


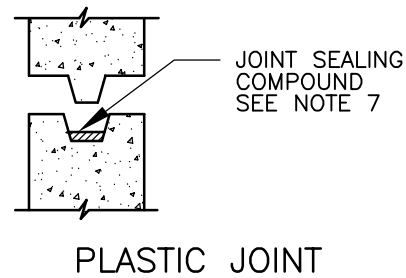
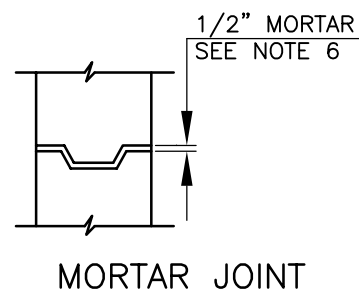
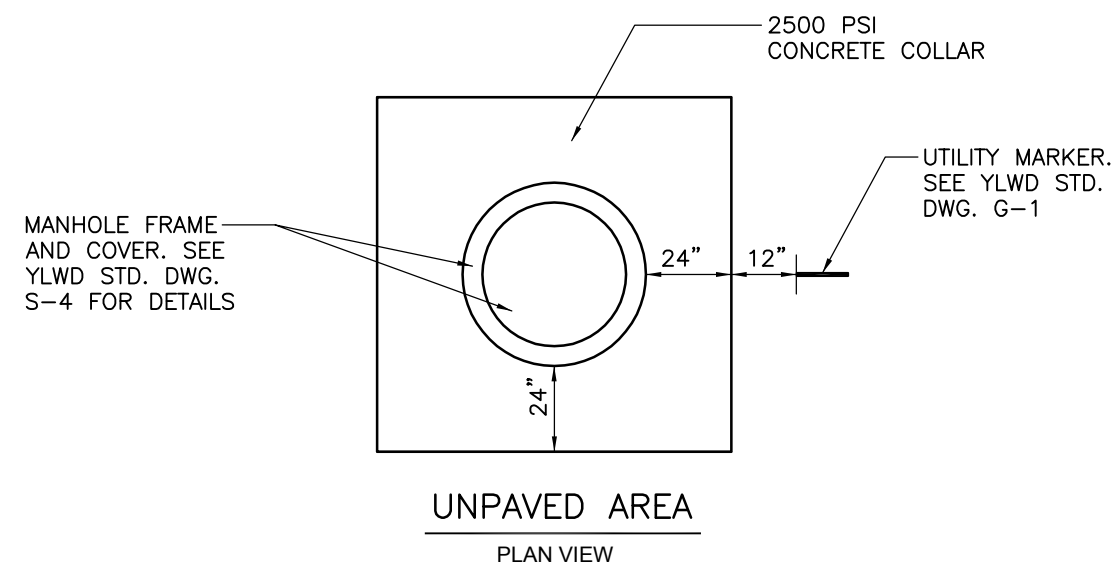
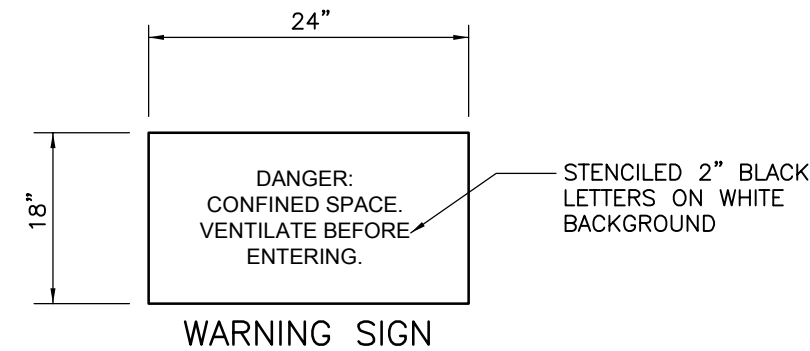
**SEWER STANDARD DRAWINGS
TABLE OF CONTENTS**

<u>DRAWING NO.</u>	<u>DESCRIPTION</u>	<u>DATE</u>
S-1	MANHOLE DETAIL	7/2016
S-2	CONCRETE BASE DETAIL	7/2016
S-3	MANHOLE SHAFT LOCATION DETAILS	7/2016
S-4	TRAFFIC MANHOLE FRAME AND COVER	7/2016
S-5	DROP MANHOLE DETAIL	7/2016
S-6	SEWER LATERAL	7/2016
S-7	SEWER SADDLE AND CUT IN WYE CONNECTION	7/2016
S-8	SEWER BEDDING DETAILS	7/2016
S-9	TERMINAL CLEANOUT DETAIL	7/2017
S-10	CONCRETE ENCASEMENT TYPE A, B AND C	7/2016
S-11	CONCRETE SLOPE ANCHORS	7/2016
S-12	STEEL CASING FOR SEWER PIPE	7/2016
S-13	YLWD STANDARD SEWER NOTES	7/2017
S-14	MANHOLE LOCK	7/2016
S-15	CUL-DE-SAC MANHOLE BASE	7/2016

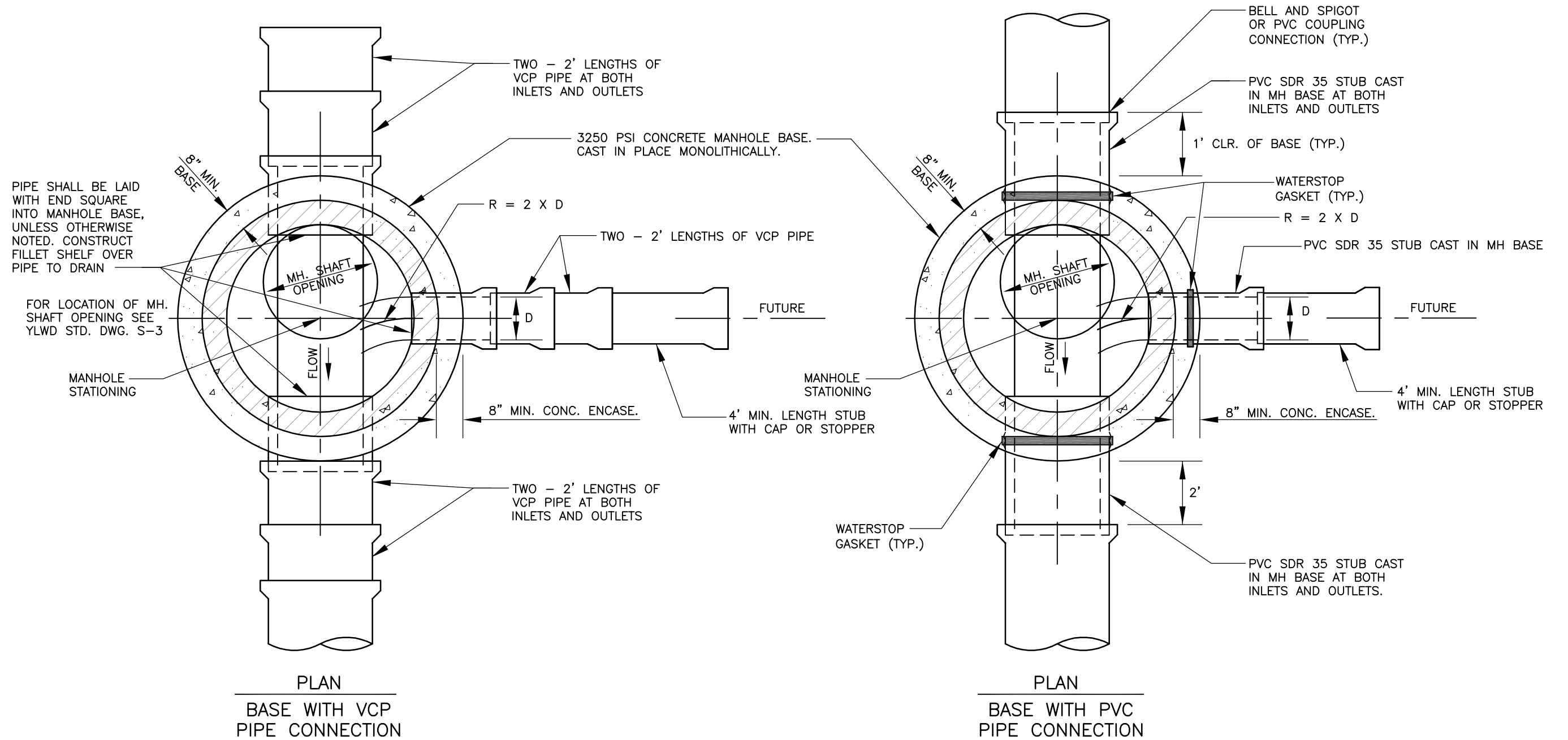


NOTES:

1. PLACE TWO HALF MOON SHAPED PLYWOOD COVERS (5/8" MIN. THICKNESS) ON BOTTOM OF MANHOLE AFTER SHAFTS HAVE BEEN SET TO KEEP DEBRIS FROM ENTERING SEWER. REMOVE PLYWOOD PRIOR TO FINAL ACCEPTANCE.
2. FOR DROP MANHOLE SEE YLWD STD. DWG. S-5.
3. FOR MANHOLES LOCATED IN UNPAVED AREAS, FRAME AND COVER SHOULD BE SET A MINIMUM OF 6" ABOVE FINISHED GRADE WITH A GRADUAL SQUARE CONCRETE COLLAR.
4. ALL INLETS AND OUTLETS SHALL BE SUPPORTED WITH CONCRETE SUPPORTS PRIOR TO POURING MANHOLE BASE.
5. SEQUENCE FOR COATING: 1) COAT INTERIOR WALLS OF MANHOLE BEFORE PLACING RINGS. 2) PLACE RINGS AND COAT RINGS AND WALLS AGAIN 4" PAST JOINT.
6. MORTAR JOINTS - SUFFICIENT MORTAR SHALL BE APPLIED ACROSS ENTIRE FACE OF JOINT SO THAT WHEN PRECAST UNITS ARE PLACED ON TOP OF ONE ANOTHER, THE MORTAR WILL SQUEEZE OUT BOTH THE INSIDE AND OUTSIDE WALL FACES.
7. PLASTIC JOINTS - PREFORMED, COLD-APPLIED, READY-TO-USE, PLASTIC JOINT SEALING COMPOUND SHALL BE CONSEAL BY CONCRETE SEALANTS, QUICK-SEAL BY QUIKSET UTILITY VAULTS, OR APPROVED EQUAL.



APPROVED BY ENGINEERING MANAGER		YORBA LINDA WATER DISTRICT	STD. DWG.
DATE 7/2016		MANHOLE DETAIL	S-1
			SHEET 1 OF 1



APPROVED BY
ENGINEERING
MANAGER

DATE
7/2016

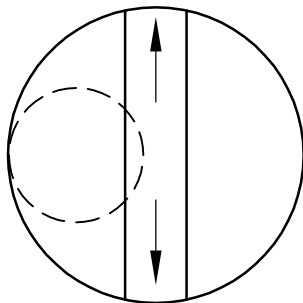
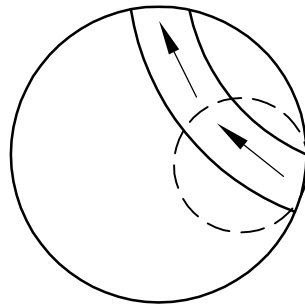
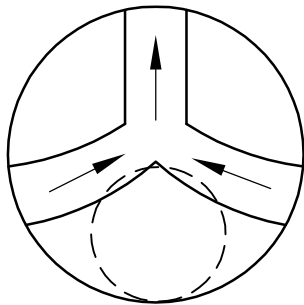
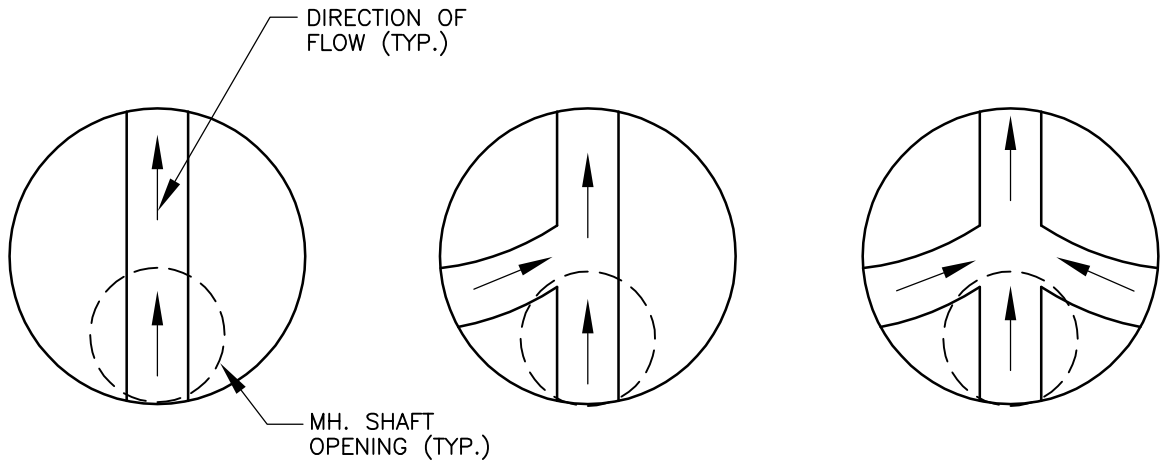


YORBA LINDA WATER DISTRICT

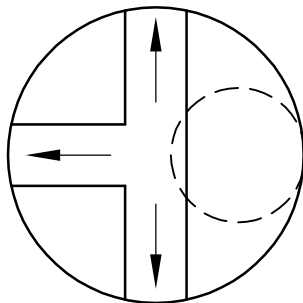
CONCRETE BASE DETAIL

STD. DWG.
S-2

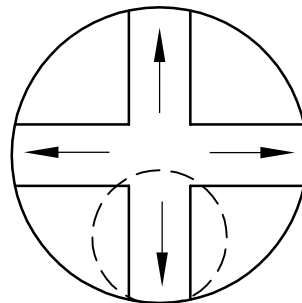
SHEET 1 OF 1



SUMMIT MH. (ONLY)
EITHER SIDE



SUMMIT MH. (ONLY)



SUMMIT MH. (ONLY)
ANY POSITION

APPROVED BY
ENGINEERING
MANAGER

DATE
7/2016



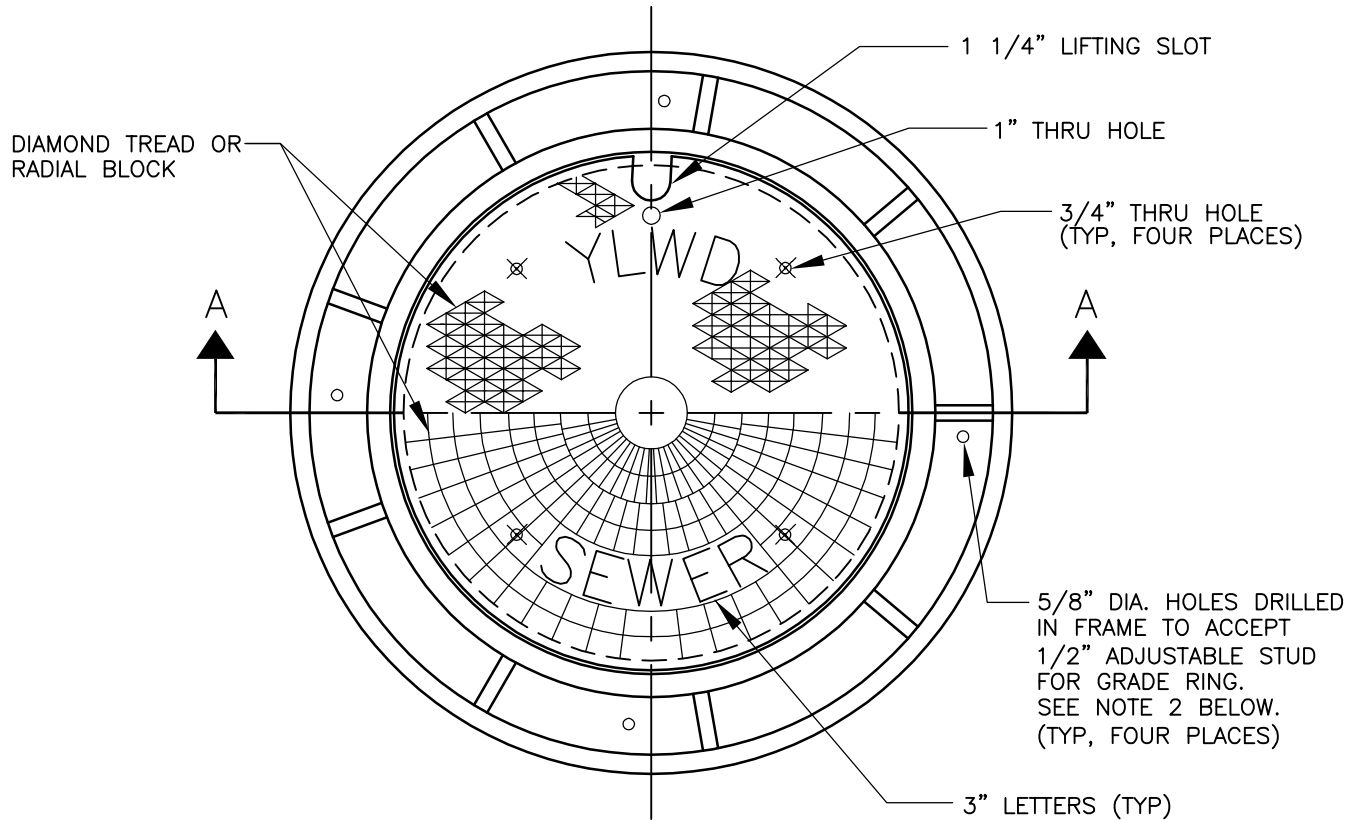
YORBA LINDA WATER DISTRICT

MANHOLE SHAFT LOCATION DETAILS

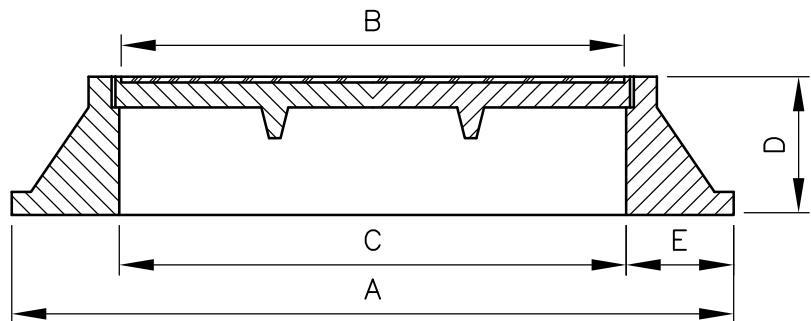
STD. DWG.

S-3

SHEET 1 OF 1



COVER SIZE (IN.)	24	30	36
A	32	38	44
B	26	32	38
C	24	30	36
D	3.5	6	6
E	4	4	4



SECTION A-A

NOTES:

- 48" MANHOLES SHALL HAVE 24" COVERS. 60" MANHOLES SHALL HAVE 30" COVERS. 72" MANHOLES SHALL HAVE 36" COVERS.
- WHERE FRAME AND COVER ARE SET 18" ABOVE GRADE, 4-1/2" DIA. INSERTS FOR ADJUSTABLE STUDS SHALL BE CAST IN TOP GRADE RING, ALIGNED AS DETAILED ABOVE. FRAME SHALL BE BOLTED TO GRADE RING.

APPROVED BY
ENGINEERING
MANAGER

DATE
7/2016



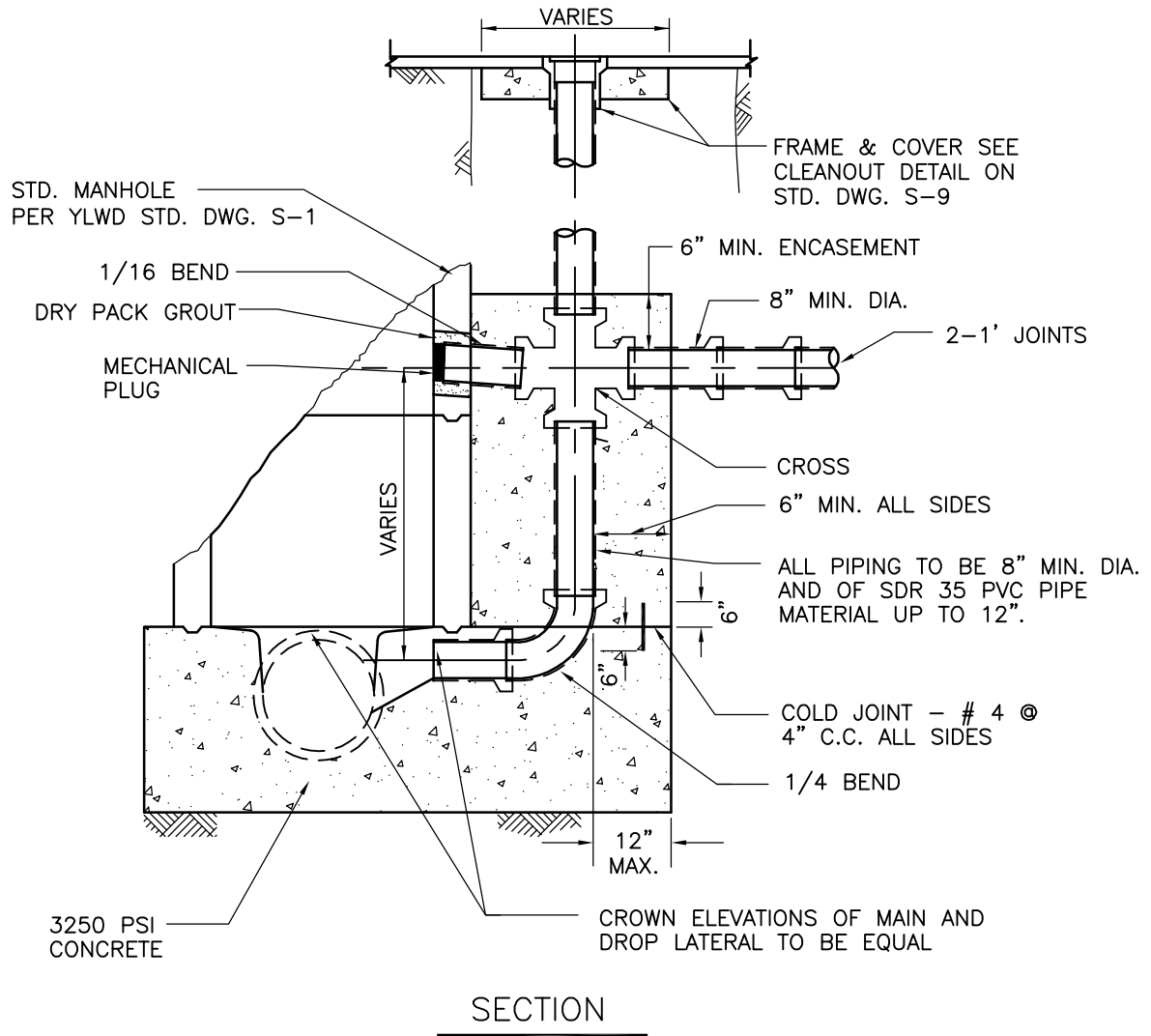
YORBA LINDA WATER DISTRICT

TRAFFIC MANHOLE FRAME & COVER

STD. DWG.


S-4

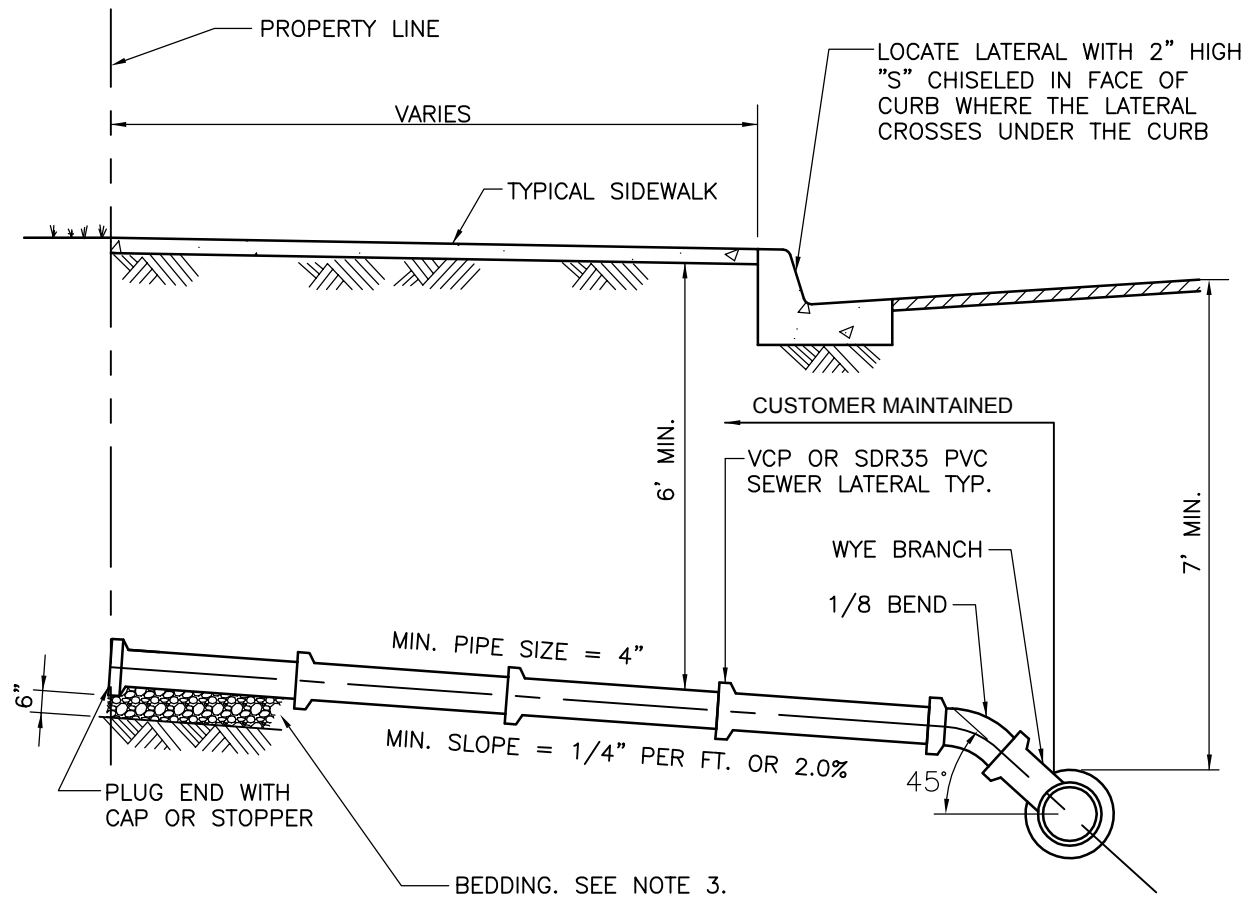
SHEET 1 OF 1



NOTES:


1. DROP MANHOLE ONLY TO BE USED FOR SPECIAL SITUATIONS, AND SHALL NOT BE CONSTRUCTED WITHOUT DISTRICT APPROVAL.
2. ALL NEW OPENING CONSTRUCTED INTO MANHOLE SHALL BE DONE BY CORE DRILLING.
3. WHERE REQUIRED, INTERIOR WALL OF MANHOLE TO BE LINED PER YLWD STD. SPEC. SECTION 03461.

APPROVED BY ENGINEERING MANAGER		YORBA LINDA WATER DISTRICT	STD. DWG.
DATE 7/2016		DROP MANHOLE DETAIL	S-5
			SHEET 1 OF 1



NOTES:

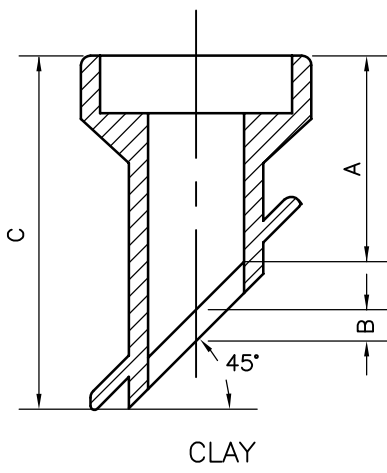
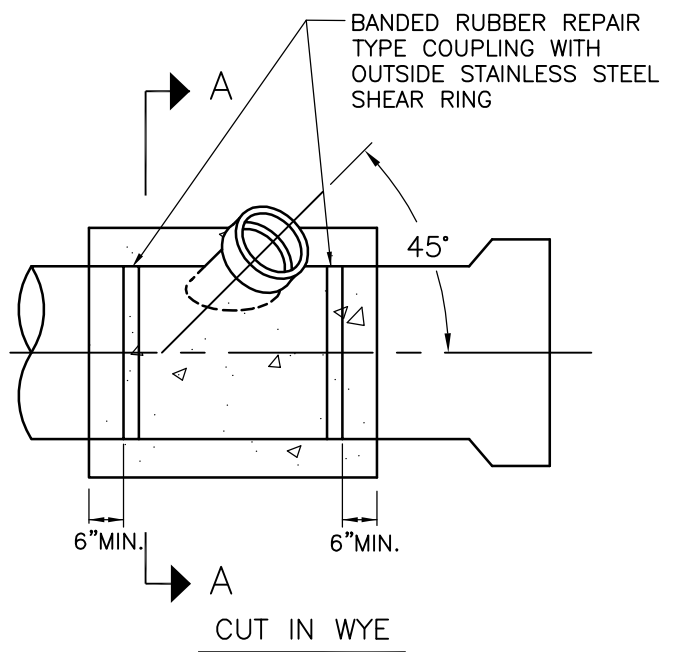
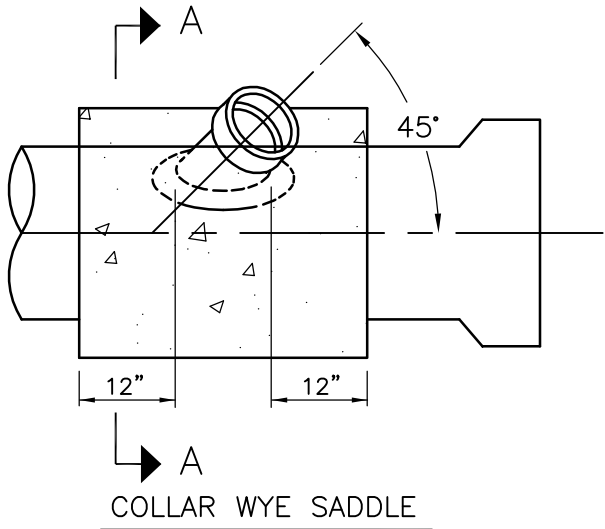
1. LATERAL SIZE TO BE DETERMINED ON THE BASIS OF TOTAL NUMBER OF FIXTURE UNITS DRAINED, BUT IN NO CASE SHALL THE LATERAL DIAMETER BE LESS THAN FOUR INCHES FOR SINGLE OR MULTIPLE FAMILY RESIDENTIAL AND SIX INCHES FOR COMMERCIAL OR INDUSTRIAL.
2. LATERAL TO BE INSTALLED TO PROPERTY LINE OR EASEMENT BOUNDARY.
3. FOR VCP PIPE, PLACE 3/4" CRUSHED ROCK IN PIPE BASE AND PIPE ZONE PER YLWD STD. DWG. S-8. FOR PVC PIPE, PLACE IMPORTED SAND, SE 30 OR 3/4" CRUSHED ROCK PER YLWD STD. DWG. S-8.
4. IF REQUIRED, TEST WYE MAY BE INSTALLED FOR AIR TEST. PLUG TEST WYE AFTER PASSING AIR TEST PER SPEC. SECTION 15043.

APPROVED BY ENGINEERING MANAGER		YORBA LINDA WATER DISTRICT	STD. DWG.
DATE 7/2016		SEWER LATERAL	S-6
			SHEET 1 OF 1

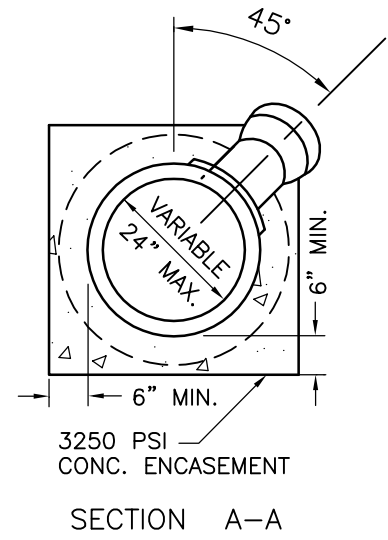
NOTE:

THE BELL ON THE COLLAR WYE SADDLE SHALL NOT BE ENCASED IN CONCRETE.

TAP TO BE MADE AT APPROX. CENTERLINE OF JOINT.



CLAY			
LATERAL DIAMETER INCHES	INCHES		
	A	B	C
4	2-1/2	1-1/2	6-1/2
6	3	1-1/2	9
8 & UP	CONNECTION BY STD MANHOLE		



NOTES:

1. THE HOLE FOR THE COLLAR WYE FITTING FOR A SEWER SADDLE SHALL BE MADE WITH A TAPPING MACHINE. THE HOLE SHALL BE CLEANLY MACHINED, AND IF NECESSARY, WORKED BY HAND WITH A RASP OR SANDED TO ACCOMPLISH A TRUE AND NEAT OPENING FOR THE COLLAR WYE.
2. THE COLLAR WYE SADDLE SHALL BE SECURED TO THE SEWER WITH AN APPROVED EPOXY RESIN.
3. THE SADDLE CONNECTION SHALL BE SECURED WITH 3250 PSI CONCRETE ENCASEMENT AFTER THE CONNECTION IS APPROVED BY THE DISTRICT REPRESENTATIVE.
4. DEBRIS SHALL BE KEPT OUT OF THE SEWER. THE SADDLED REACH OF SEWER MAIN SHALL BE CLEANED AND BALLED AS DIRECTED BY THE DISTRICT REPRESENTATIVE.
5. DAMAGED PIPE SHALL BE REPAIRED AS DIRECTED BY THE DISTRICT REPRESENTATIVE.

APPROVED BY
ENGINEERING
MANAGER

DATE
7/2016



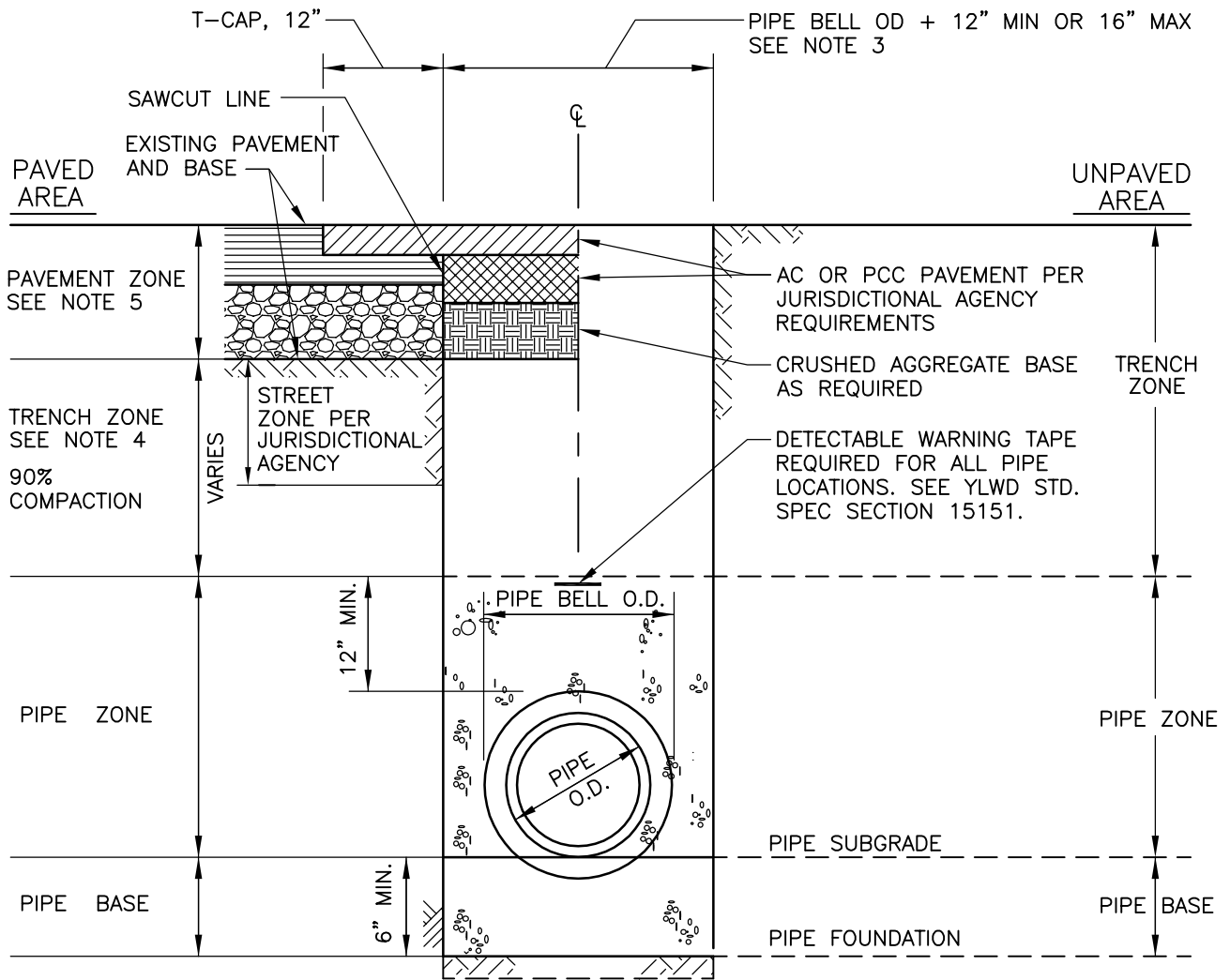
YORBA LINDA WATER DISTRICT

SEWER SADDLE & CUT IN WYE CONNECTION

STD. DWG.


S-7

SHEET 1 OF 1

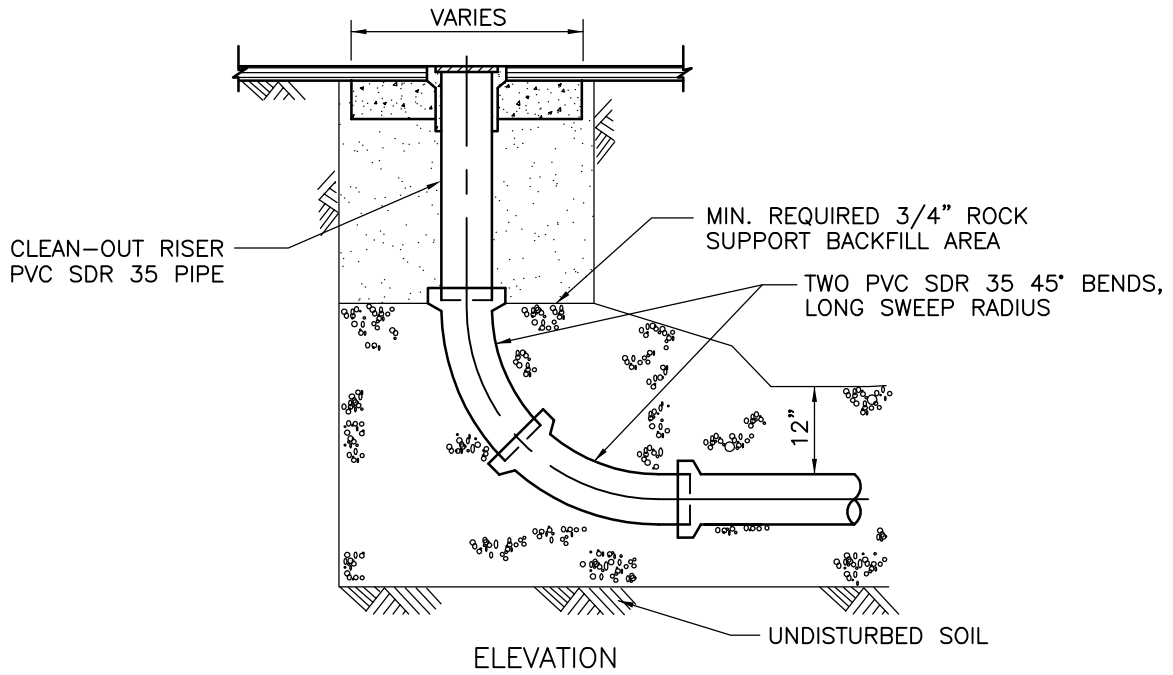
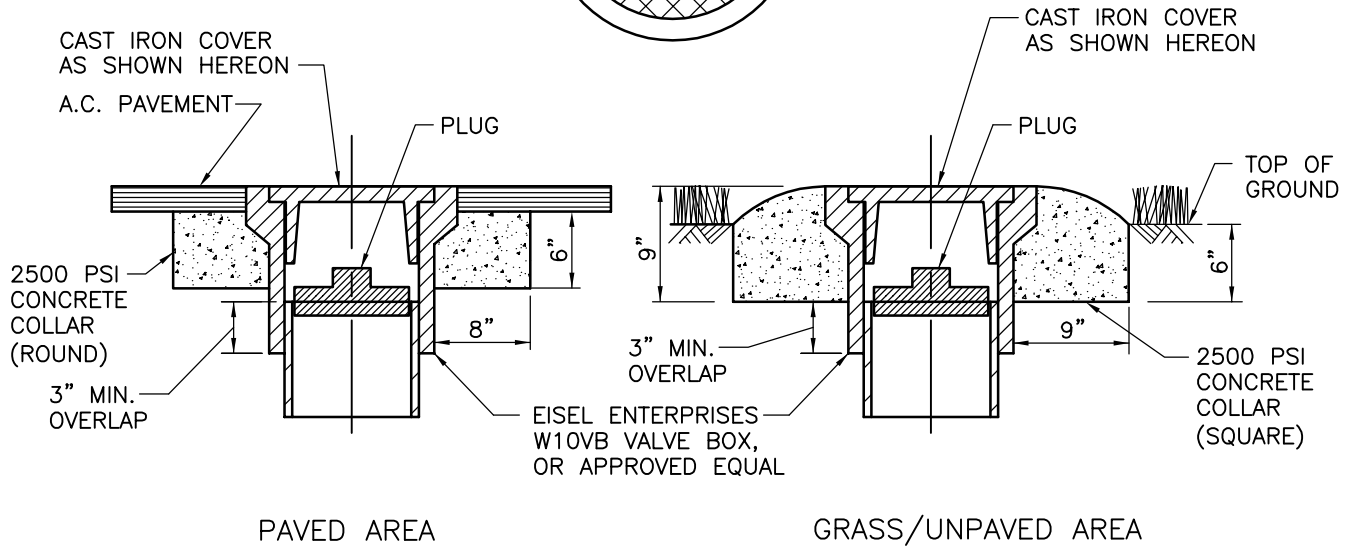
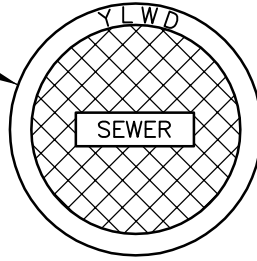


NOTES:

1. WORK SHALL BE IN ACCORDANCE WITH SPECIFICATION SECTION 02223, 02578, OR AS REQUIRED BY PERMIT CONDITIONS.
2. PIPE SHALL BE PLACED ON A FOUNDATION ACCEPTABLE TO GEOTECHNICAL ENGINEER. REMOVE AND RECOMPACT WITH PIPE BASE MATERIAL TO DEPTH ACCEPTABLE TO GEOTECHNICAL ENGINEER.
3. TRENCH WIDTH AT THE UPPER LIMIT OF THE PAVEMENT ZONE SHALL BE WITHIN THE FOLLOWING LIMIT:
 - (A) MAXIMUM TRENCH WIDTH—O.D. PIPE BELL PLUS 8" MAX. EACH SIDE OF PIPE.
 - (B) MINIMUM TRENCH WIDTH—O.D. PIPE OR BELL PLUS 6" MIN. EACH SIDE OF PIPE.
4. TRENCH ZONE SHALL CONSIST OF 1-1/2 SACK SLURRY IN ALL ARTERIAL HIGHWAYS FOR PROJECTS WITHIN THE CITY OF YORBA LINDA AS DIRECTED BY THE CITY REPRESENTATIVE. OTHERWISE, TRENCH ZONE SHALL CONSIST OF MATERIALS IN ACCORDANCE WITH THE PROJECT'S GEOTECHNICAL REPORT AND THE JURISDICTIONAL AGENCY REQUIREMENTS.
5. PAVEMENT ZONE RESTORATION PER JURISDICTIONAL AGENCY REQUIREMENTS.
6. FOR SEWER VCP, PIPE BASE AND PIPE ZONE MATERIAL SHALL BE 3/4" MAX. CRUSHED ROCK. FOR SEWER PVC, PIPE BASE AND PIPE ZONE MATERIAL SHALL BE IMPORTED SAND, SE 30 OR 3/4" MAX. CRUSHED ROCK. FOR SEWER DIP, PIPE BASE AND PIPE ZONE MATERIAL SHALL BE IMPORTED SAND, SE 30.

APPROVED BY ENGINEERING MANAGER		YORBA LINDA WATER DISTRICT	STD. DWG.
DATE 7/2016		SEWER LINE TRENCH SECTION & BEDDING DETAILS	S-8
			SHEET 1 OF 1

EISEL ENTERPRISES W106C
CAST IRON COVER WITH 6"
SKIRT, OR APPROVED EQUAL



NOTE:

1. CLEANOUT RISER PIPE AND 45° BENDS TO BE SAME SIZE AS SEWER MAIN.

APPROVED BY
ENGINEERING
MANAGER

DATE
7/2017



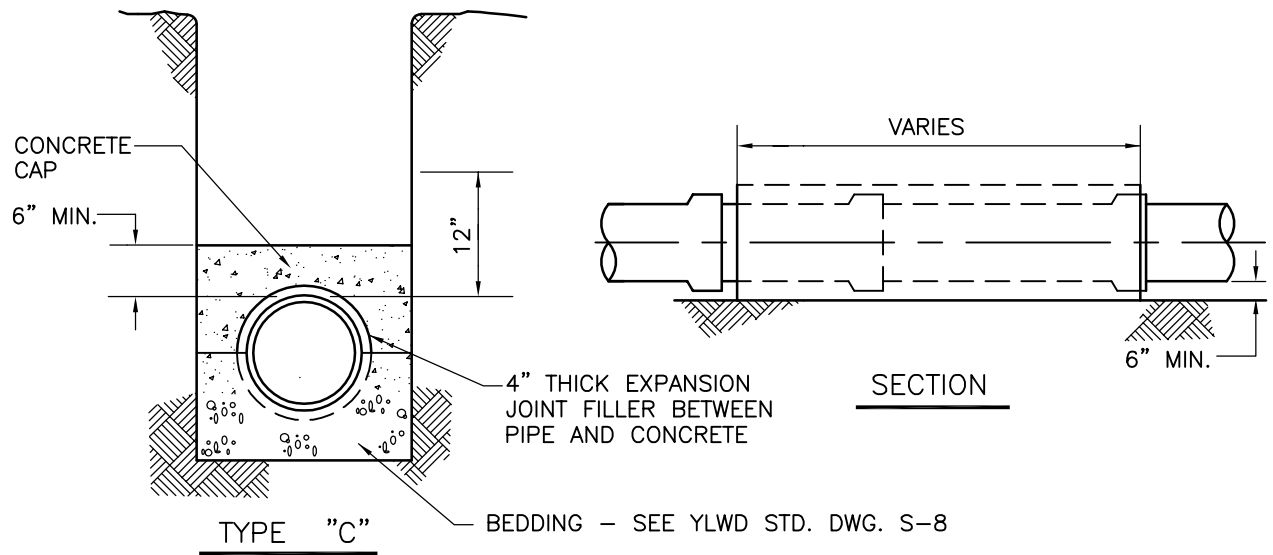
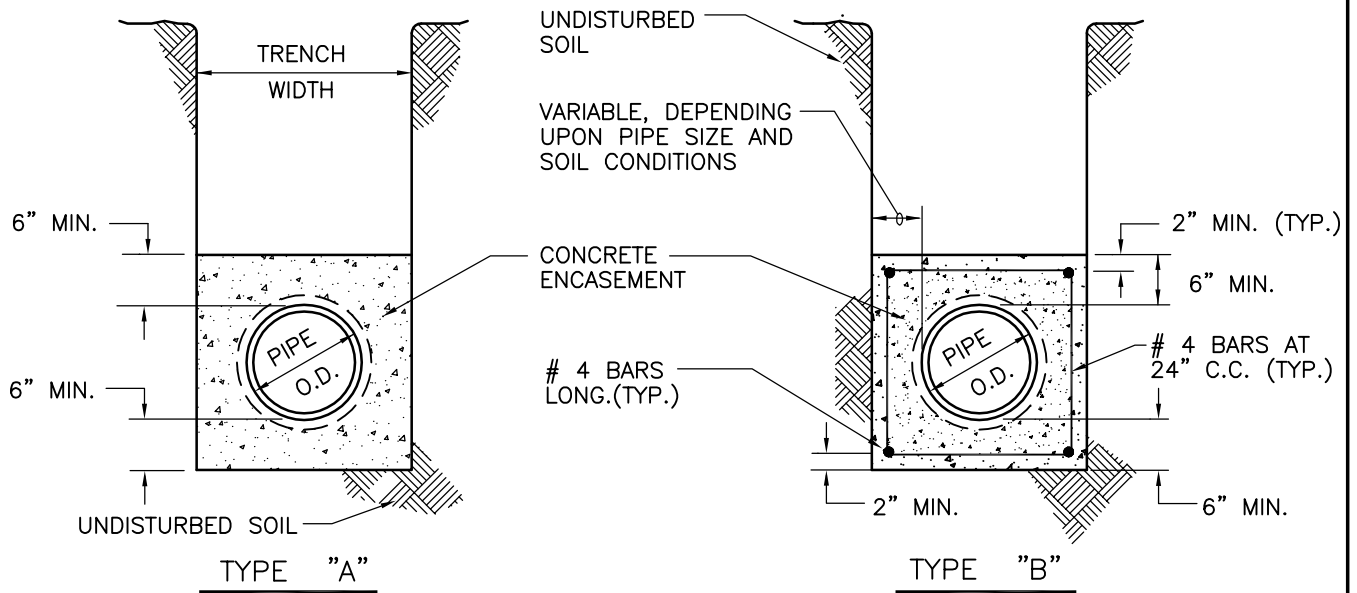
YORBA LINDA WATER DISTRICT

TERMINAL CLEANOUT DETAIL

STD. DWG.


S-9

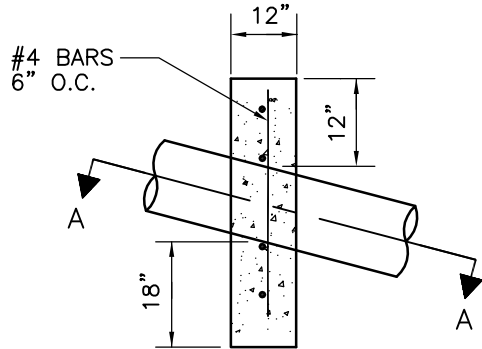
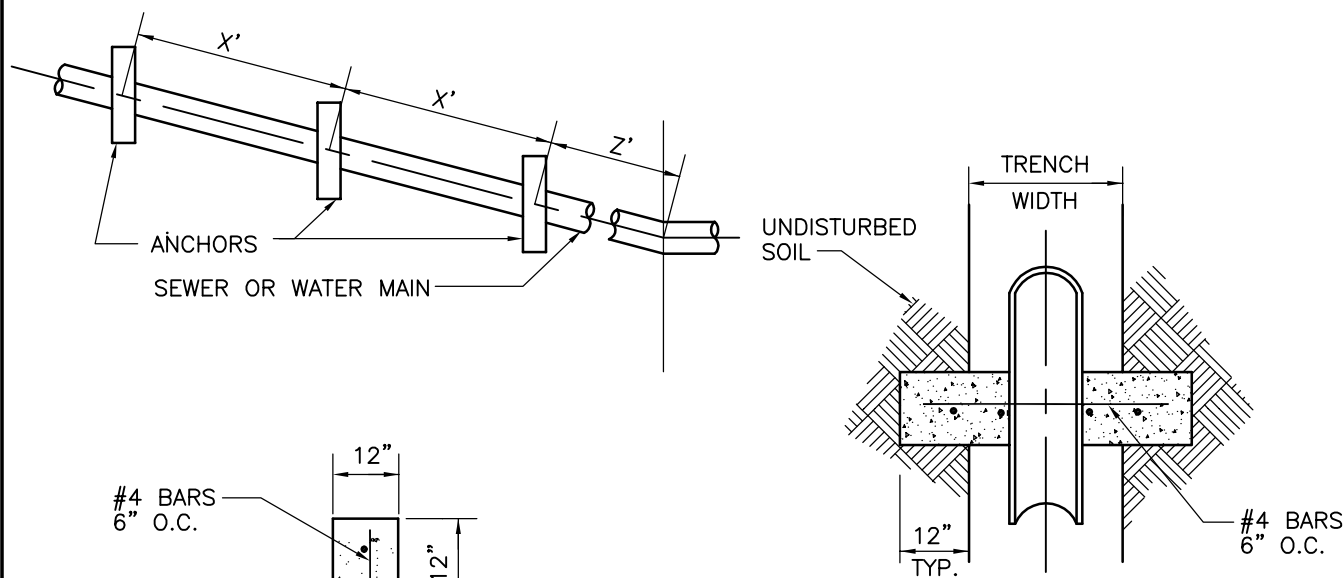
SHEET 1 OF 1



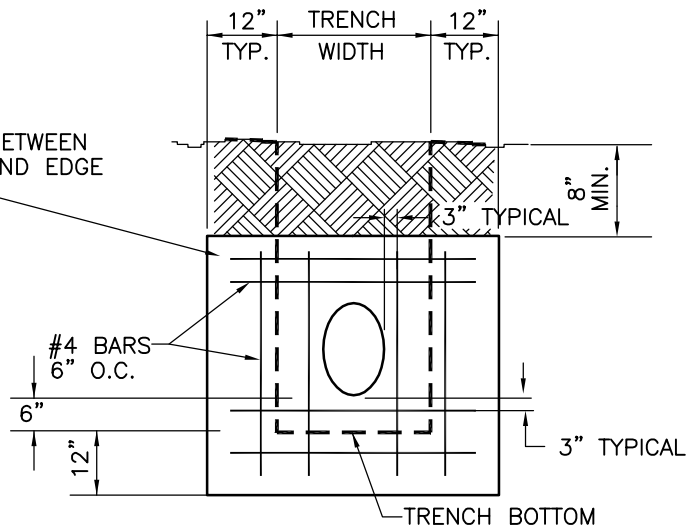
NOTES:

1. TYPE OF CONCRETE ENCASEMENT TO BE USED SHALL BE SHOWN ON PLANS OR AS SPECIFIED BY DISTRICT REPRESENTATIVE TO MEET UNFORESEEN FIELD CONDITIONS. UNLESS NOTED OTHERWISE, ENCASEMENT SHALL BE 2500 PSI CONCRETE.
2. ENCASEMENT TO BE PLACED AGAINST UNDISTURBED NATURAL GROUND OR FILL COMPACTED TO 90% RELATIVE DENSITY.
3. NO. 4 STEEL REINFORCING BARS SHALL BE USED AS SPECIFIED.
4. ENCASEMENT SHALL NOT BE INSTALLED ON VCP SEWER PIPES.

APPROVED BY ENGINEERING MANAGER		YORBA LINDA WATER DISTRICT	STD. DWG. S-10
DATE 7/2016		CONCRETE ENCASEMENT TYPE A, B, & C	SHEET 1 OF 1



SECTION A-A



REINFORCING STEEL PATTERN

3" MIN. CLEARANCE BETWEEN REINFORCING STEEL AND EDGE OF CONCRETE

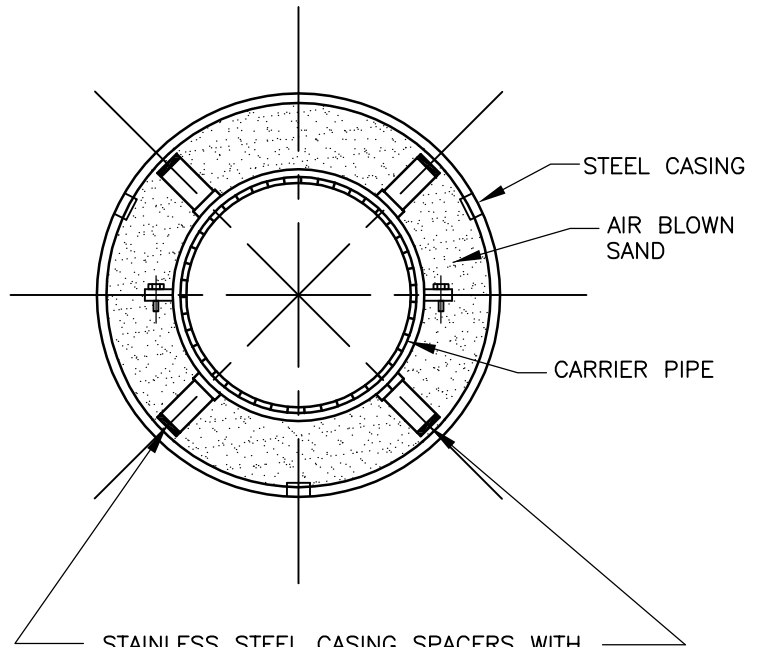
PIPE SLOPE	PIPE SLOPE	X DISTANCE (MAX)	Z DISTANCE (MAX)
100%	1:1	12'	4'
66.6%	1-1/2:1	14'	8'
50%	2:1	16'	12'
40%	2-1/2:1	18'	18'
33.3%	3:1	20'	20'

NOTES:

1. PIPE ANCHORS REQUIRED ON ALL SLOPES OF 3:1 OR STEEPER.
2. ANCHOR SHALL EXTEND 12" MINIMUM INTO UNDISTURBED SOIL.
3. CONCRETE SHALL BE 3250 PSI.
4. ANCHORS FOR TRAPEZOIDAL TRENCH SECTIONS SHALL CONFORM TO TRENCH CROSS SECTION AND EXTEND 12" INTO UNDISTURBED SOIL.
5. FOR VCP, ANCHORS SHALL NOT BE PLACED WITHIN 6" OF THE PIPE JOINT.

APPROVED BY ENGINEERING MANAGER		YORBA LINDA WATER DISTRICT	STD. DWG.
		CONCRETE SLOPE ANCHORS	S-11
DATE			SHEET 1 OF 1
7/2016			

STEEL CASING SCHEDULE			
V.C.P. SIZE	BELL O.D.	MIN. CASING SIZE, I.D.	MIN. WALL THICK.
6"	11"	18"	5/16"
8"	14"	20"	3/8"
10"	16"	24"	3/8"
12"	19"	27"	3/8"
15"	24"	30"	1/2"
18"	27"	36"	1/2"



STAINLESS STEEL CASING SPACERS WITH FIBERGLASS POLYMER COMPOSITE RUNNERS. SEE YLWD STD. SPEC. SECTION 02315 FOR ACCEPTABLE PRODUCTS.

NOTES:

1. UNLESS NOTED OTHERWISE, CASING SHALL BE INSTALLED BY THE BORE, JACK AND/OR TUNNEL METHOD. IF OPEN-CUT INSTALLATION OF CASING IS ALLOWED, BACKFILL SHALL BE IN ACCORDANCE WITH YLWD STD. DWG. S-8.
2. SIZE AND THICKNESS OF CASING SHALL BE AS SHOWN IN SCHEDULE. FOR LONG BORE DISTANCES OR SPECIAL SITUATIONS, GREATER WALL THICKNESSES THAN SHOWN IN THE ABOVE TABLE MAY BE REQUIRED.
3. ALL STEEL CASING PIPE FIELD JOINTS SHALL BE WELDED FULL-CIRCUMFERENCE.
4. CARRIER PIPE SHALL BE AIR PRESSURE TESTED PRIOR TO FILLING CASING.
5. UPSTREAM AND DOWNSTREAM ELEVATIONS OF CARRIER PIPE TO BE VERIFIED PRIOR TO FILLING.
6. EACH END OF CASING SHALL BE SEALED WITH CONCRETE MORTAR, BRICK & MORTAR OR PVC PLUG.
7. INSTALL AIR BLOWN SAND IN ANNULAR SPACE.

APPROVED BY
ENGINEERING
MANAGER

DATE
7/2016



YORBA LINDA WATER DISTRICT

STEEL CASING FOR SEWER PIPE


STD. DWG.

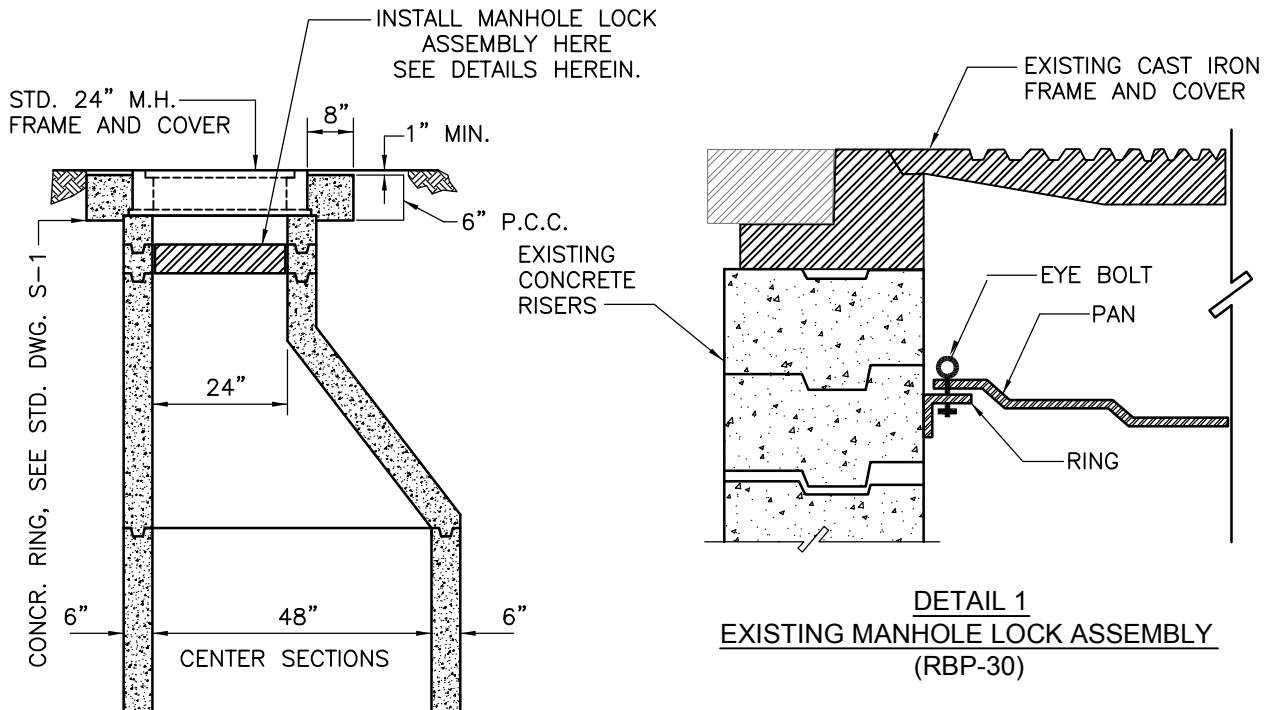
S-12

SHEET 1 OF 1

STANDARD SEWER NOTES

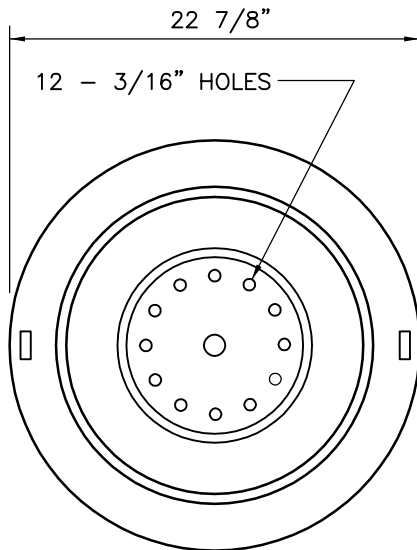
1. THE SEWER SYSTEM AS SHOWN ON THESE PLANS SHALL BE CONSTRUCTED IN ACCORDANCE WITH YORBA LINDA WATER DISTRICT'S STANDARD SPECIFICATIONS AND DRAWINGS FOR CONSTRUCTION OF DOMESTIC WATER AND SEWER FACILITIES, LATEST EDITION. CONTRACTOR SHALL KEEP A COPY OF THE STANDARD SPECIFICATIONS AND DRAWINGS ON THE JOBSITE AT ALL TIMES.
2. THE DISTRICT SHALL BE NOTIFIED AT LEAST 48 HOURS PRIOR TO COMMENCING WORK AND FOR SCHEDULING INSPECTIONS ON THE SEWER IMPROVEMENTS. PHONE: (714) 701-3100, FOR INSPECTION. NO FACILITY SHALL BE BACKFILLED UNTIL INSPECTED BY THE DISTRICT.
3. A PRECONSTRUCTION MEETING CONFERENCE OF REPRESENTATIVES FROM AFFECTED AGENCIES AND THE CONTRACTOR SHALL BE HELD ON THE JOB SITE AT LEAST 48 HOURS PRIOR TO START OF WORK.
4. THE CONTRACTOR SHALL NOTIFY UNDERGROUND SERVICE ALERT (DIG ALERT) AT LEAST TWO (2) WORKING DAYS PRIOR TO CONSTRUCTION AT 811 OR 1-800-422-4133.
5. TO REPORT A WATER OR SEWER MAIN BREAK, LEAK, OR OTHER DAMAGE TO DISTRICT FACILITIES, CALL (714) 701-3000.
6. APPROVAL OF THIS PLAN BY YORBA LINDA WATER DISTRICT DOES NOT CONSTITUTE A REPRESENTATION AS TO THE ACCURACY OR COMPLETENESS OF THE LOCATION OR EXISTENCE OR NON-EXISTENCE OF ANY UNDERGROUND UTILITY PIPE OR STRUCTURE WITHIN THE LIMITS OF THIS PROJECT. THE CONTRACTOR SHALL VERIFY THE HORIZONTAL AND VERTICAL LOCATION OF ALL UTILITY CROSSINGS BEFORE CONSTRUCTING ANY SEWERS IN THIS PROJECT. THE CONTRACTOR IS REQUIRED TO TAKE ALL DUE PRECAUTIONARY MEANS TO PROTECT THE UTILITY LINES NOT OF RECORD OR NOT SHOWN IN THIS PLAN. CONTRACTOR PERFORMING WORK ON THIS PROJECT SHALL BECOME FAMILIAR WITH THIS SITE AND SHALL BE SOLELY RESPONSIBLE FOR ANY DAMAGE TO EXISTING FACILITIES RESULTING DIRECTLY FROM CONSTRUCTION OPERATIONS.
7. IN ACCORDANCE WITH CALIFORNIA CODE OF REGULATIONS, TITLE 8, SECTION 341 (PERMIT REQUIREMENTS) THE CONTRACTOR SHALL OBTAIN A PERMIT FROM THE STATE OF CALIFORNIA DIVISION OF INDUSTRIAL SAFETY PRIOR TO ANY TRENCH EXCAVATION. A COPY OF SAID PERMIT SHALL BE KEPT AT THE JOB SITE AND AVAILABLE TO THE DISTRICT REPRESENTATIVE UPON REQUEST.
8. CONTRACTOR SHALL REPLACE IN KIND ALL IMPROVEMENTS REMOVED OR DISTURBED DURING CONSTRUCTION UNLESS OTHERWISE NOTED.
9. THE DEVELOPER'S ENGINEER SHALL FURNISH THE CONTRACTOR AND THE DISTRICT INSPECTOR SEWER CUT SHEETS WHICH SHALL INCLUDE "WYE" STATIONING.
10. 0+00 SHOWN ON SEWER PROFILE DENOTES STATIONING ALONG CENTERLINE SEWER FROM DOWNSTREAM MANHOLE.
11. THE DEVELOPER'S ENGINEER SHALL SET A TOP OF CURB STAKE AT ALL SEWER LATERAL LOCATIONS.
12. WHERE SEWER MANHOLES ARE NOT CONSTRUCTED WITHIN THE STREET RIGHT-OF-WAY, A UTILITY MARKER PER STANDARD SPECIFICATION 15151 SHALL BE SET AS A MANHOLE REFERENCE.
13. ALL GRAVITY SEWER MAIN LINES 8 INCH DIAMETER AND GREATER AND ALL SEWER SERVICE LATERALS SHALL BE EXTRA STRENGTH VCP, UNLESS OTHERWISE NOTED. GRAVITY SEWER MAIN LINES WITHIN EASEMENTS SHALL BE CERAMIC EPOXY-LINED DIP CL350. ALL VCP PIPE SHALL BE BELL AND SPIGOT WITH COMPRESSION JOINTS PER STANDARD SPECIFICATION 02710.
14. THE USE OF PORTLAND CEMENT IN ANY FORM WILL NOT BE PERMITTED FOR JOINTS.
15. IF THE BOTTOM OF THE EXISTING WATER MAIN DOES NOT CLEAR THE TOP OF THE NEW SANITARY SEWER MAIN BY 1 FOOT, ONE PIPE LENGTH OF DUCTILE IRON SHALL BE INSTALLED, CENTERED UNDERNEATH THE CROSSING.
16. SEWER CONNECTION: 4 INCH HOUSE CONNECTIONS ARE TO BE CONSTRUCTED FROM THE SEWER MAIN TO THE PROPERTY LINE FOR EACH LOT. SEE STANDARD DRAWING S-6.
17. CURBS SHALL BE INSCRIBED WITH AN "S" INDICATING LOCATION OF ALL SEWER LATERALS.
17. ANY WORK TO BE PERFORMED INSIDE A LIVE MANHOLE SHALL BE DONE IN ACCORDANCE WITH CAL OSHA "CONFINED SPACES" AND DISTRICT MANHOLE ENTRY REGULATIONS. MANHOLE ENTRY WITHOUT DISTRICT PERSONNEL PRESENT IS NOT ALLOWED.
18. ALL SEWER MANHOLE LIDS ARE TO HAVE THE WORD "SEWER" AND THE INITIALS "YLWD" CAST THEREON AS SHOWN IN STANDARD DRAWING S-4.
19. MANHOLE COVERS SHALL BE LEFT AT LEAST 6" BELOW SUBGRADE AND BROUGHT TO FINAL GRADE UPON COMPLETION OF PAVING. FINAL MANHOLE SEATING SHALL BE 1/8" BELOW ASPHALT SURFACE.
20. WHERE SEWER MANHOLES ARE LOCATED, CURBS SHALL BE INSCRIBED WITH A "MH" AND THE DISTANCE TO THE MANHOLE IN TWO (2) LOCATIONS.
21. THE YORBA LINDA WATER DISTRICT WILL INSPECT AND MAINTAIN ALL 8-INCH AND GREATER SEWER MAIN LINES AND MANHOLES. THE DISTRICT WILL INSPECT BUT NOT MAINTAIN 4, 6, OR 8-INCH LATERALS FROM THE SEWER MAIN TO THE PROPERTY LINE. THE JURISDICTIONAL AGENCY WILL INSPECT AND VERIFY ALL 4, 6, AND 8-INCH LATERALS FROM THE PROPERTY LINE TO THE BUILDING.
22. FINAL TESTING FOR SEWER PIPELINES LEAKAGE SHALL BE MADE IN THE PRESENCE OF THE DISTRICT INSPECTOR AFTER ALL DRY UTILITIES ARE CONSTRUCTED AND BACKFILL HAS BEEN APPROVED AND ACCEPTED BY THE DISTRICT AND/OR JURISDICTIONAL AGENCY.
23. ALL TRENCH BACKFILL SHALL BE COMPACTED TO A MINIMUM OF 90% RELATIVE DENSITY AS DETERMINED BY A TEST METHOD REQUIRED BY THE DISTRICT OR THE CITY OF YORBA LINDA OR JURISDICTIONAL AGENCY.
24. SEWER LATERAL CONNECTIONS SHALL NOT BE MADE UNTIL THE SEWER HAS BEEN TESTED FOR LEAKAGE AND ACCEPTED BY THE DISTRICT.
25. IN ORDER TO PREVENT ACCIDENTAL USE OF THE NEW SEWER PRIOR TO COMPLETION AND ACCEPTANCE, THE OUTLET OR INLET TO EXISTING TIE-IN MANHOLE(S) SHALL BE SEALED WITH BROKEN BRICK AND MORTAR. INSTALLATION OF THESE PLUGS SHALL BE APPROVED BY THE DISTRICT. PLUGS SHALL BE REMOVED AT THE TIME OF FINAL ACCEPTANCE.
26. AFTER FINAL TESTING AND MANHOLE COVERS HAVE BEEN BROUGHT TO FINISHED ASPHALT SURFACE, ALL SEWER LINES SHALL BE BALLED IN THE PRESENCE OF THE DISTRICT INSPECTOR. BALLING MUST BE COMPLETED TO THE SATISFACTION OF THE DISTRICT INSPECTOR PRIOR TO OCCUPANCY RELEASES BEING ISSUED.
27. ALL NEW SEWERS SHALL BE INSPECTED USING CLOSED-CIRCUIT TELEVISION (CCTV) EQUIPMENT IN ACCORDANCE WITH STANDARD SPECIFICATION 02701, INSTALLATION OF GRAVITY SEWER PIPELINES.
28. AT THE COMPLETION OF THE SEWER WORK AND PRIOR TO STREET PAVING, THE DEVELOPER'S ENGINEER SHALL FURNISH A SET OF "AS-BUILT" PLANS ON MYLAR SHOWING THE LOCATIONS OF WYES AND END OF HOUSE LATERALS AT PROPERTY LINE TO THE DISTRICT.
29. ALL SEWER SERVICE CONNECTIONS IN WHICH THE PAD ELEVATION OF THE PROPERTY BEING SERVED IS LOWER THAN THE RIM ELEVATION OF THE UPSTREAM MANHOLE SHALL HAVE A SEWER BACKFLOW PREVENTION VALVE. INSTALLATION OF THE BACKFLOW DEVICE SHALL COMPLY WITH ALL REQUIREMENTS OF THE JURISDICTIONAL AGENCY.
30. THE CONTRACTOR SHALL NOTIFY THE DISTRICT ONE (1) WEEK PRIOR TO ANY PROPOSED SHUT DOWN OF EXISTING MAINS OR LATERALS. CONTRACTOR SHALL COMPLETE ALL WORK WITHIN AN EIGHT (8) HOUR PERIOD FOR THE SCHEDULED SHUT DOWN.
31. ABANDONMENT OF SEWER FACILITIES SHALL BE IN ACCORDANCE WITH YLWD STANDARD SPECIFICATION 01045, EXISTING FACILITIES.

APPROVED BY ENGINEERING MANAGER		YORBA LINDA WATER DISTRICT	STD. DWG.
DATE 7/2017		YLWD STANDARD SEWER NOTES	S-13
			SHEET 1 OF 1

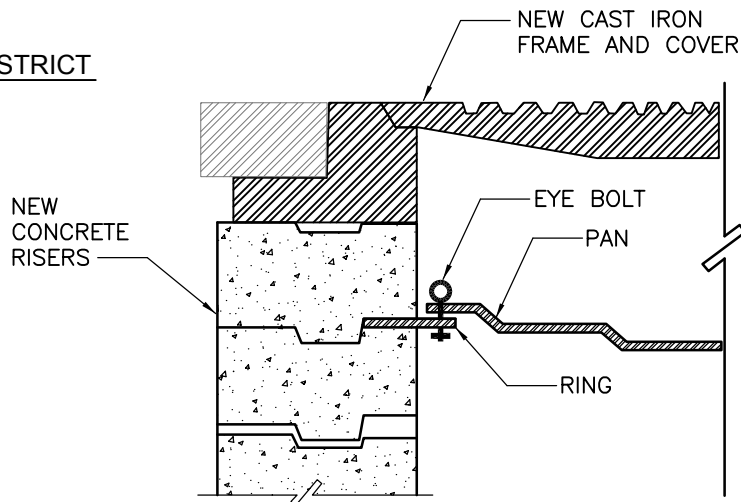


DETAIL 1
EXISTING MANHOLE LOCK ASSEMBLY
(RBP-30)

YORBA LINDA WATER DISTRICT
48" MANHOLE



PLAN OF PAN
TOP VIEW



DETAIL 2
NEW MANHOLE LOCK ASSEMBLY
(RBP-50)

NOTES:

1. ALL WORK SHALL CONFORM TO THE MANUFACTURER'S SPECIFICATIONS AND CURRENT INDUSTRY STANDARDS, AND SHALL COMPLY WITH ALL LOCAL, STATE, AND FEDERAL LAWS.
2. FOR EXISTING MANHOLE, INSTALL SEWERLOCK RBP-30 ASSEMBLY (SERIES 300 STAINLESS STEEL). FOR NEW MANHOLE, INSTALL SEWERLOCK RBP-50 ASSEMBLY (SERIES 300 STAINLESS STEEL).
3. CONTACT: SEWERLOCK.COM (408) 761-5882

APPROVED BY
ENGINEERING
MANAGER

DATE
7/2016



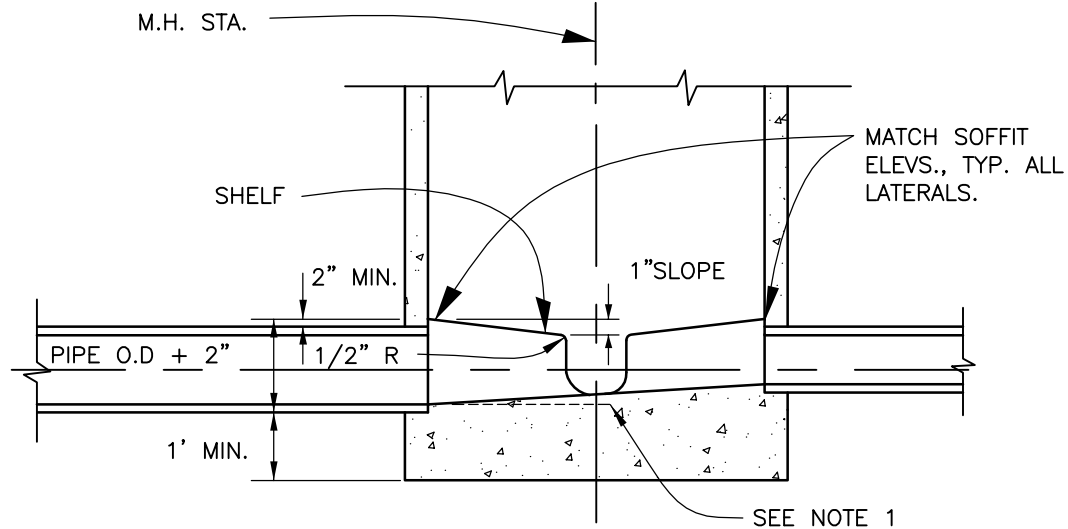
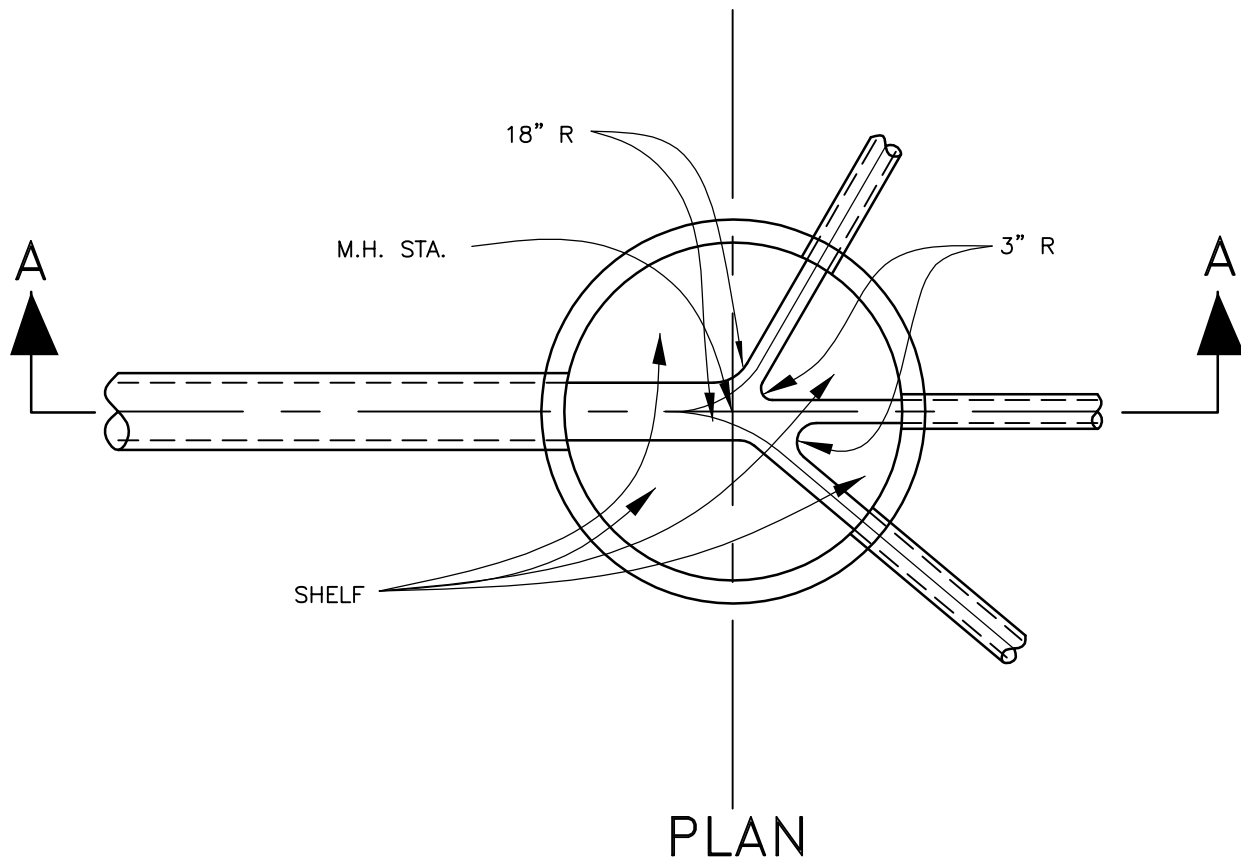
YORBA LINDA WATER DISTRICT

MANHOLE LOCK

STD. DWG.

S-14

SHEET 1 OF 1



SECTION A-A

NOTES:

1. UNLESS DIRECTED OTHERWISE, ALL PROLONGED CENTERLINES OF SEWERS ENTERING A MANHOLE SHALL INTERSECT AT THE CENTER OF THE MANHOLE.
2. FOR CONCRETE BASE AND JOINT DETAILS, SEE YLWD STD. DWG. S-2.

APPROVED BY
ENGINEERING
MANAGER

DATE
7/2016



YORBA LINDA WATER DISTRICT

CUL-DE-SAC MANHOLE BASE

STD. DWG.

S-15

SHEET 1 OF 1